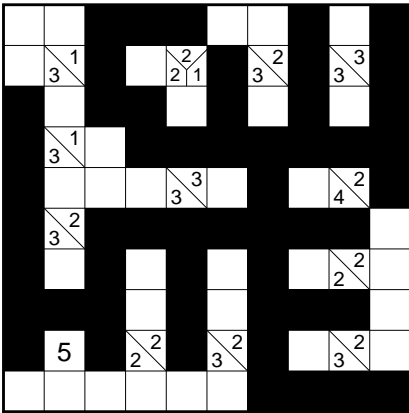
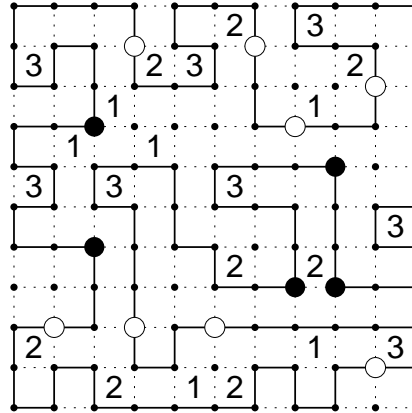


Finale: Lösungen

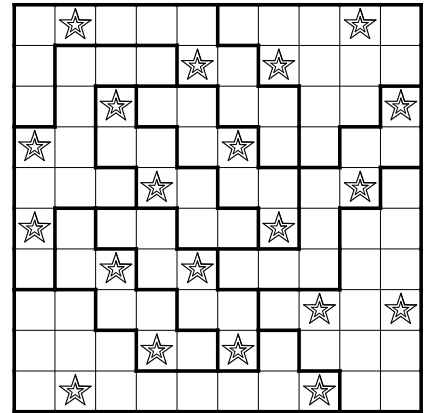
Tapa



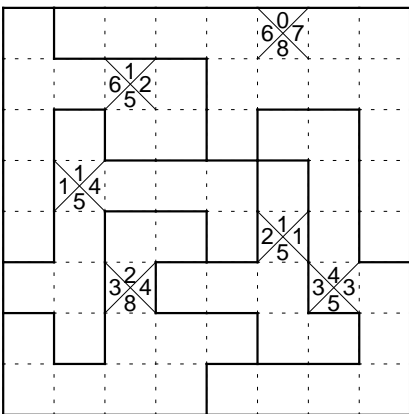
Masyu-Rundweg



Doppelstern



Kompassrätsel



Kreuzsummenrätsel

| | | | | | | | | | |
|----|-----------------|----------------|-----------------|----------------|-----------------|-----------------|----|----|--|
| | 14 | 12 | | 12 | | 16 | 10 | | |
| 13 | 8 | 5 | $\frac{22}{10}$ | 9 | 6 | 3 | 4 | 12 | |
| 12 | 6 | 1 | 2 | 3 | $\frac{12}{14}$ | 2 | 6 | 4 | |
| | $\frac{12}{29}$ | 4 | 8 | $\frac{9}{33}$ | 5 | 4 | 15 | 5 | |
| 9 | 7 | 2 | $\frac{22}{6}$ | 7 | 9 | 1 | 2 | 3 | |
| | 9 | $\frac{9}{12}$ | 1 | 8 | $\frac{9}{10}$ | 6 | 3 | 12 | |
| 33 | 8 | 4 | 5 | 9 | 7 | $\frac{13}{13}$ | 4 | 9 | |
| 12 | 5 | 7 | 19 | 6 | 3 | 7 | 1 | 2 | |
| | 12 | 1 | 8 | 3 | 12 | 6 | 5 | 1 | |

Nanro

| | | | | | | | | | |
|---|---|---|---|---|---|---|---|---|---|
| | | 3 | | 3 | 1 | 4 | 4 | 4 | |
| 2 | 2 | 3 | | 3 | | 4 | | | |
| | | 3 | | | | 3 | 4 | 4 | 4 |
| | 4 | 4 | 4 | 3 | 3 | | | | 4 |
| | 4 | | 3 | | 3 | 2 | 2 | 4 | 1 |
| 4 | | 3 | 2 | 3 | | | | 4 | |
| 4 | 4 | 2 | | | | | | 4 | |
| 4 | | | | | 4 | 2 | 2 | 4 | 3 |
| | 4 | 4 | 2 | 2 | 4 | | | | 3 |
| 4 | 4 | | 4 | | 4 | | | | 3 |

Hochhausblöcke

| | | | | | | | | | | | |
|---|---|---|---|---|---|---|---|---|---|---|---|
| | | 4 | | | 2 | | 2 | | | | |
| | 1 | 2 | 3 | 5 | 4 | 2 | 3 | 1 | 4 | 5 | |
| | 3 | 5 | 2 | 4 | 1 | 1 | 2 | 4 | 5 | 3 | |
| | 4 | 1 | 5 | 3 | 2 | 5 | 1 | 2 | 3 | 4 | |
| | 5 | 4 | 1 | 2 | 3 | 3 | 4 | 5 | 2 | 1 | 3 |
| 4 | 2 | 3 | 4 | 1 | 5 | 4 | 5 | 3 | 1 | 2 | |
| | 2 | 1 | 3 | 5 | 4 | 4 | 1 | 5 | 2 | 3 | |
| 2 | 1 | 5 | 4 | 2 | 3 | 3 | 2 | 1 | 4 | 5 | |
| | 5 | 4 | 2 | 3 | 1 | 1 | 3 | 2 | 5 | 4 | |
| | 3 | 2 | 1 | 4 | 5 | 5 | 4 | 3 | 1 | 2 | 4 |
| 2 | 4 | 3 | 5 | 1 | 2 | 2 | 5 | 4 | 3 | 1 | 4 |